



- Easy to Use and Learn
- Radiation Safety Protection
- Simple and User-Friendly Operation Interface
- Safe for Film, Chips and Electronic Products.

▶ Product Introduction

The FSCAN 8065D Dual Energy Dual Vision X-ray Security Inspection Equipment is a new security scanning device that utilizes the penetrating power of X-rays to provide fast and damage-free inspection of luggage and goods without the need for physical opening. It is ideal for security inspection of briefcases, mail packages, cargo, hand luggage and small packages in the following environments:

- Government Institutions, Transportation Hubs (airport/terminal/station)
- Logistics Sector, Courts, Prosecutor's Offices, Prisons
- Embassies, Factories, Schools, Hospitals
- Stadiums, Exhibition Halls, Entertainment Venues

▶ Features

- Modularity: The internal circuit structure adopts a modular design approach. Rational layout design enhances the device's interference suppression capacity, ensures stable operation, and simplifies maintenance.
- Digitalization: The hardware system utilizes the latest ASIC fully digital solution design and deep acquisition technology. Compared to analog solutions, it offers high integration, strong interference resistance, and clear imaging effects.
- Comprehensive Functionality: Additional functional modules can be customized according to customer requirements via optional dedicated ports.

Examples:

- AI-powered image recognition (hazardous materials warnings)
- Camera integration solutions (person-baggage linking)
- Package barcode association
- UPS power supply

▶ Functions

Image Processing Functions:

Color/Black and White, Edge Enhancement, High Penetration, Low Penetration, Super Enhancement, Organic Matter Removal, Inorganic Matter Removal (Metallic Appearance Only), Image Inversion, Brightness Enhancement, Darkening, Grayscale Scanning, Zoom, False Color, Image Restoration, Image Saving

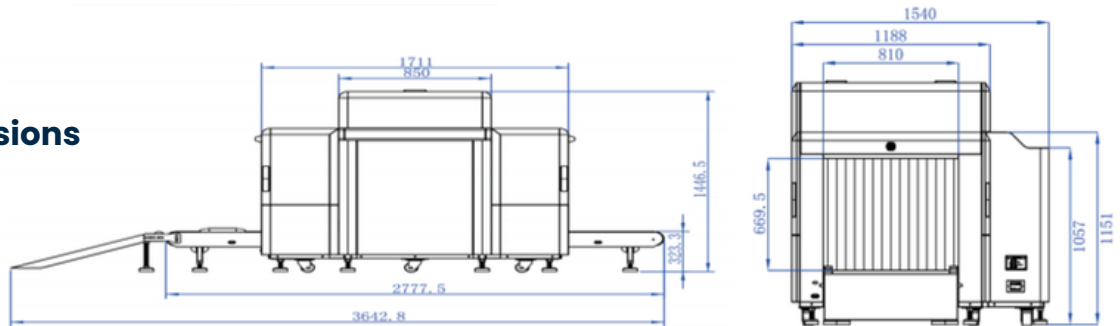
System Functions:

Initial Self-Test, Multi-Level User Management, Image Management, TIP (Threat Image Projection) Management, Curve Diagnosis, Keyboard Diagnosis, Device Information Query, Multi-Format Image Export, OSD (On-Screen Display) Operation, Image Mirroring, 1-64x Seamless Zoom, Magnifier Operator Training, Precise Image Capture, Tunnel Clearance Reminder, Remote Control Software, One-Button Shutdown

Parameters

Category	Parameter	8065D
External Dimensions	Tunnel Size	800mm × 650mm (W×H)
	Equipment Size	2780mm × 1540mm × 1450mm (LxWxH)
Performance Parameters	Wire Resolution	AWG40 (+0.0787mm)
	Spatial Resolution	Horizontal: 1.0mm; Vertical: 1.0mm
	Penetration Capability	38mm steel plate
	X-ray Source	160 kV / 1.25 mA
Radiation Dose	Leakage Dose	<0.5 μSv (50mm from device body)
	Single Scan Dose	<5 μGy/h
Conveyor Parameters	Conveyor Height	320mm (belt height from ground)
	Conveyor Speed	22 m/s
Imaging Parameters	Screen Size	5 inches
	Resolution	1920 x 1080P
General Parameters	Power Consumption	1000W
	Power Supply	AC220V 50Hz
	Noise Level	<55 dB (1m from device)
	Operating Temperature/Humidity	5°C to 40°C / 10% to 90% non-condensing
	Storage Temperature/Humidity	-20°C to 40°C / 0% to 90% non-condensing
	Equipment Weight	650 kg

Dimensions



X-Ray Results

